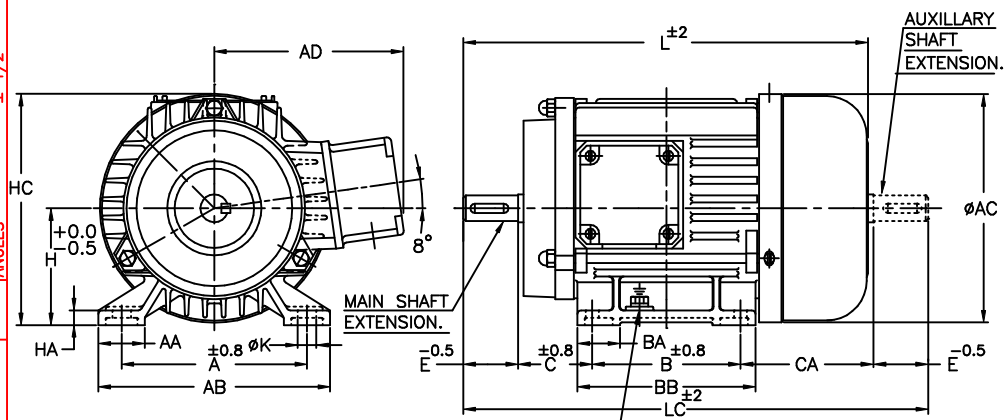


UNMENTIONED TOLERANCES

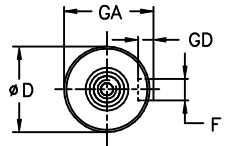
LINEAR DIMENSIONS (UP TO MACHINED) TOL.	ABOVE 0	6	315	1000
ANGLES	± 1/2°			

ALL INFORMATION CONTAINED IN THIS DOCUMENT IS CONFIDENTIAL AND THE PROPERTY OF KIRLOSKAR ELECTRIC CO.LTD. REPRODUCING OF THESE IN ANY FORM IS TO BE DONE WITH THE SPECIFIC PERMISSION OF THE COMPANY.

**DIMENSIONAL DRAWING**



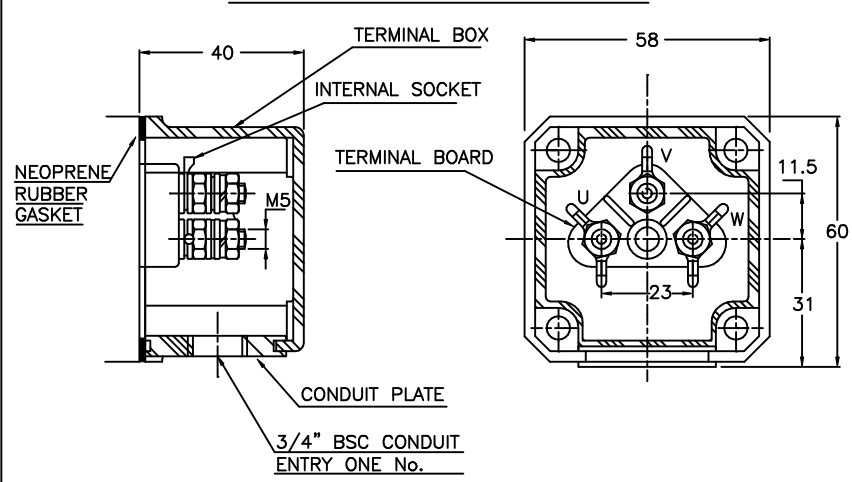
M6 EARTHING SCREWS  
2Nos. 1No. PER SIDE



**DETAILS OF MAIN & AUXILIARY SHAFT EXTENSION**

- NOTE :
1. DIMENSIONS ARE AS PER IS:1231
  2. DEGREE OF PROTECTION: IP:55.
  3. TOLERANCE ON 'D' : j6.
  4. PROTECTED CENTRE HOLE AT SHAFT EXTENSION AS PER IS:2540.  
"M4 X 16" FOR 'D'- φ11  
"M5 X 12" FOR 'D'- φ14
  5. TERMINAL BOX CAN BE ROTATABLE THROUGH 360° IN STEPS OF 90°.
  6. KEY & KEYWAY ARE AS PER IS:2048 & TOLERANCE ON KEYWAY IS P9.

**TERMINAL BOX ARRANGEMENT**



NOTE: MAX. CABLE SIZE : MAIN-1x3Cx4 sqmm.

SL. NO.	FRAME	A	AA	AB	φAC	AD	B	BA	BB	C	CA	D	E	F	GA	GD	H	HA	HC	φK	L	LC
1	PM 63	100	25	125	123	105	80	23	96	40	72	11	23	4	12.5	4	63	8	124	7	210	238
2	PM 71	112	25	137	140	115	90	28	106	45	70	14	30	5	16	5	71	8	140	7	233	265

**Z122599100JR**

SURFACE ROUGHNESS (MAX) AS PER KSD-02-027

Ro	um	50	12.5	25	1.6	3.2	6.3	0.2	0.4	0.8	0.025	0.05	0.1
OLD	NEW	✓	✓	✓	✓	✓	✓	✓	✓	✓	✓	✓	✓

UC: UNMENTIONED CHAM: Rφ ✓

REV.	ZONE	DCN.No.	BRIEF RECORD	SIGNATURE	DATE	PRINTS ISSUED TO
1		0122209	SERIOUSNESS CLASSIFICATION IS REMOVED	Sd/-	10/01/09	QA MARKETING PRODUCTION
8						

THIS SUPERSEDES ..... FROM dt ..... AS PER DCN No.....  
 THIS SUPERSEDED BY ..... FROM dt ..... AS PER DCN No.....

MATERIAL SPECIFICATION	RAW MATERIAL SIZE	WEIGHT kg	SCALE		
-	-	RM FIN.	NTS		
CASTING/FAB REF.		No.P.S.:-			
USED ON		DRAWN	CHECKED	STANDARD	APPROVED
PM63 & 71		Sd/-	Sd/-	Sd/-	Sd/-
TITLE:		dt.10/2/98	dt.10/2/98	dt.10/2/98	dt.10/2/98
DIMENSION SHEET		32259998R1			
KIRLOSKAR ELECTRIC COMPANY LTD. HUBLI-580030 (INDIA)		SHEET ONE OF ONE			

FORM No. 02 201 02B (ISSUE 7)